

Service Manual

PM-66SE F
74PM66 / 11B / 12B / 15B
Integrated stereo amplifier

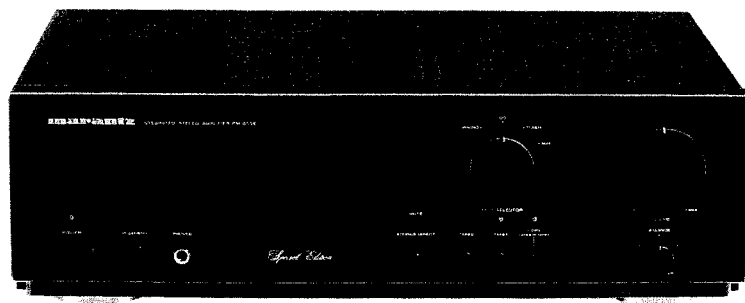


TABLE OF CONTENTS

SECTION	PAGE
1. TECHNICAL SPECIFICATIONS	1
2. TEST EQUIPMENT REQUIRED FOR SERVICING	1
3. IDLING CURRENT ADJUSTMENT	2
4. VOLTAGE CONVERSION	2
5. BLOCK DIAGRAM	2
6. WIRING DIAGRAM	3
7. SCHEMATIC DIAGRAM AND PARTS LOCATION (Pattern side)	5
8. EXPLODED VIEW AND PARTS LIST	13
9. ELECTRICAL PARTS LIST	16

Please use this service manual with referring to the user guide (D.F.U.) without fail.

修理の際は、必ず取扱説明書を準備し操作方法を確認の上作業を行ってください。

marantz®

model PM-66SE

MARANTZ DESIGN AND SERVICE

Using superior design and selected high grade components, **MARANTZ** company has created the ultimate in stereo sound. Only original **MARANTZ** parts can insure that your **MARANTZ** product will continue to perform to the specifications for which it is famous.

Parts for your **MARANTZ** equipment are generally available to our National Marantz Subsidiary or Agent.

ORDERING PARTS:

Parts can be ordered either by mail or by Fax.. In both cases, the correct part number has to be specified.

The following information must be supplied to eliminate delays in processing your order:

1. Complete address
2. Complete part numbers and quantities required
3. Description of parts
4. Model number for which part is required
5. Way of shipment
6. Signature: any order form or Fax. must be signed, otherwise such part order will be considered as null and void.

USA

MARANTZ AMERICA, INC.
440 MEDINAH ROAD
ROSELLE, ILLINOIS 60172-2330
USA
PHONE : 708-307-3100
FAX : 708-307-2687

CANADA

LENBROOK INDUSTRIES LIMITED
633 GRANITE COURT,
PICKERING, ONTARIO L1W 3K1
CANADA
PHONE : 416-831-8333
FAX : 416-831-8936

EUROPE

MARANTZ EUROPE B.V.
P.O. BOX 80002
BUILDING SFF2
5800 JB EINDHOVEN
THE NETHERLANDS
PHONE : +31-40-2732241
FAX : +31-40-2735578

PROFESSIONAL-USA

SUPERSCOPE TECHNOLOGIES, INC.
MARANTZ PROFESSIONAL PRODUCTS
1000 CORPORATE BLVD., SUITE D
AURORA, ILLINOIS 60504 USA
PHONE : 708-820-4800
FAX : 708-820-8103

PROFESSIONAL-CANADA

TC ELECTRONICS CANADA LTD
540 FIRING AVE.
BAIE D'URFÉ, QUEBEC H9X 3T2
CANADA
PHONE : 514-457-4044
FAX : 514-457-5524

TRADING

MARANTZ EUROPE B.V.
P.O. BOX 80002
BUILDING SFF2
5800 JB EINDHOVEN
THE NETHERLANDS
PHONE : +31-40-2732241
FAX : +31-40-2735578

AUSTRALIA

MARANTZ AUSTRALIA
3 Figtree Drive
Australia Centre
Homebush, NSW2140 AUSTRALIA
PHONE : +61 2 742.8311
FAX : +61 2 7643074

HONG-KONG

FORWARD INTERNATIONAL CORP. LTD.
15 TH FLOOR, REGENT CENTRE,
88 QUEEN'S ROAD, CENTRAL, H. K.
PHONE : +852 521-0883
FAX : +852 521-7835

THAILAND

MRZ STANDARD CO., LTD.
746-750 WANGBURAPA BANGKOK
10200 THAILAND
PHONE : +66 2222 9181
FAX : +66 2225 8871

TAIWAN

PAI-YUING CO., LTD.
6 TH FL NO. 148 SUNG KIANG RORD,
TAIPEI, 10429, TAIWAN R.O.C.
PHONE : +886 (2) 5221304-8
FAX : +886 (2) 5630415

MALAYSIA

WO KEE HONG ELECTRONICS SDN. BHD.
NO. 102 JALAN SS 21/35, DAMANSARA
UTAMA, 47400 PETALING JAYA
SELANGOR DARUL EHSAN,
MALAYSIA
PHONE : +60 3-7184666
FAX : +60 3-7173828

SINGAPORE

FORWARD MARKETING (SINGAPORE) PTE. LTD.
29, LENG KEE ROAD
SINGAPORE 159099,
PHONE : +65 475-4555
FAX : +65 475-8623

JAPAN-Technical

MARANTZ JAPN INC.
35-1, 7-chome, Sagamiono
Sagamihara-shi, Kanagawa
Japan
PHONE : +81 427 48 2181
FAX : +81 427 48 0889

日本マランツ株式会社

本社 〒228 神奈川県相模原市相模大野7丁目35番1号
営業本部 〒150 東京都渋谷区恵比寿南1丁目11番9号

SHOCK, FIRE HAZARD SERVICE TEST:

CAUTION: After servicing this appliance and prior to returning to customer, measure the resistance between either primary AC cord connector pins (with unit NOT connected to AC mains and its Power switch ON), and the face or Front Panel of product and controls and chassis bottom.

Any resistance measurement less than 1 Megohms should cause unit to be repaired or corrected before AC power is applied, and verified before it is return to the user/customer.

Ref. UL Standard NO.1492.

In case of difficulties, do not hesitate to contact the Technical Department at above mentioned address.

960514KI

1. TECHNICAL SPECIFICATIONS

Power output

RMS 8 ohms / 4 ohms	50 / 70W
DIN 8 ohms / 4 ohms	55 / 75W

IHF dynamic power

8 ohms / 4 ohms	80 / 110W
THD at 8 ohms rated output	0.008 %
Intermodulation distortion	0.008 %
Damping factor	100

Magnetic cartridge input

Input sensitivity impedance	2.5 mV / 47 k ohm
Accuracy of frequency response to IEC RIAA	0.5 dB
Signal to noise ratio (IHF A weighted)	87 dB

Tuner / CD / Aux / Tape inputs

Input sensitivity impedance	150 mV / 33 k ohm
Signal to noise ratio (A weighted)	97 dB
Frequency response (-3 dB limits)	5 Hz - 70 kHz
Channel separation (1 kHz / 10 kHz)	> 85 dB / 65 dB

General

Power Requirements

/ 12, / 15 versions	230 V AC, 50 Hz
/ 11 version	110 / 120 / 220 / 240 V AC, 50 / 60 Hz
/ F version	100 V AC, 50 / 60 Hz

Dimensions (MAX)

Width	439 mm
Height	138 mm
Depth	343 mm

Weight

Unit alone	6.7 kg
------------------	--------

Specifications subject to change without prior notice.

2. TEST EQUIPMENT REQUIRED FOR SERVICING

This table lists the test equipment required for servicing

Item	Use
Distortion Analyzer	Distortion measurements
Audio Oscillator	Sinewave and squarewave signal source
ACVTVM	Voltage measurements (AC)
Oscilloscope	Waveform analysis and trouble shooting and ASO alignment
Circuit Tester	Trouble shooting
DCVTVM	Voltage measurements (DC)
AC Wattmeter	Monitors primary power to amplifier
Line Voltmeter	Monitors potential of primary power to amplifier
Variable Autotransformer	Adjust level of primery power to amplifier
Shorting Plug	Shorts amplifier input to eliminate noise pickup

3. IDLING CURRENT ADJUSTMENT

- (1) Before switching the power ON, set the Master Volume control to the minimum position and the Balance to the center positions. Also set semi-fixed resistors R755 (L CH) and R756 (R CH) on PCB P701 to the center positions.
- (2) Each of the cement resistors R767 (L CH) and R768 (R CH) on the PCB P701 is provided with three test points. Connect a digital voltmeter, set for the DC voltage input, to the test points at the two extremities of the three test points of R767 or R768.
- (3) After the setup above, switch the power ON and adjust semi-fixed resistor R755 (L CH) or R756 (R CH) on PCB P701 according to the digital voltmeter reading. The target setting value is 14 mV (38.9mA) for both the L CH and R CH.

Please refer to the table below.

Elapsed time after power ON	Idling current setting value
30 sec. - 1 min.	5 mV
1 min. - 2 min.	8 mV
2 min. - 4 min.	10.5 mV
More than 6 min.	14 mV

Note on Safety :

Symbol **▲** Fire or electrical shock hazard. Only original parts should be used to replace any part marked with symbol **▲** . Any other component substitution (other than original type), may increase risk of fire or electrical shock hazard.

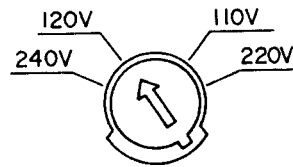
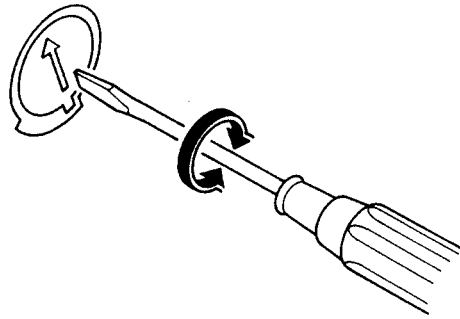
4. VOLTAGE CONVERSION

• /11B VERSION MODEL ONLY

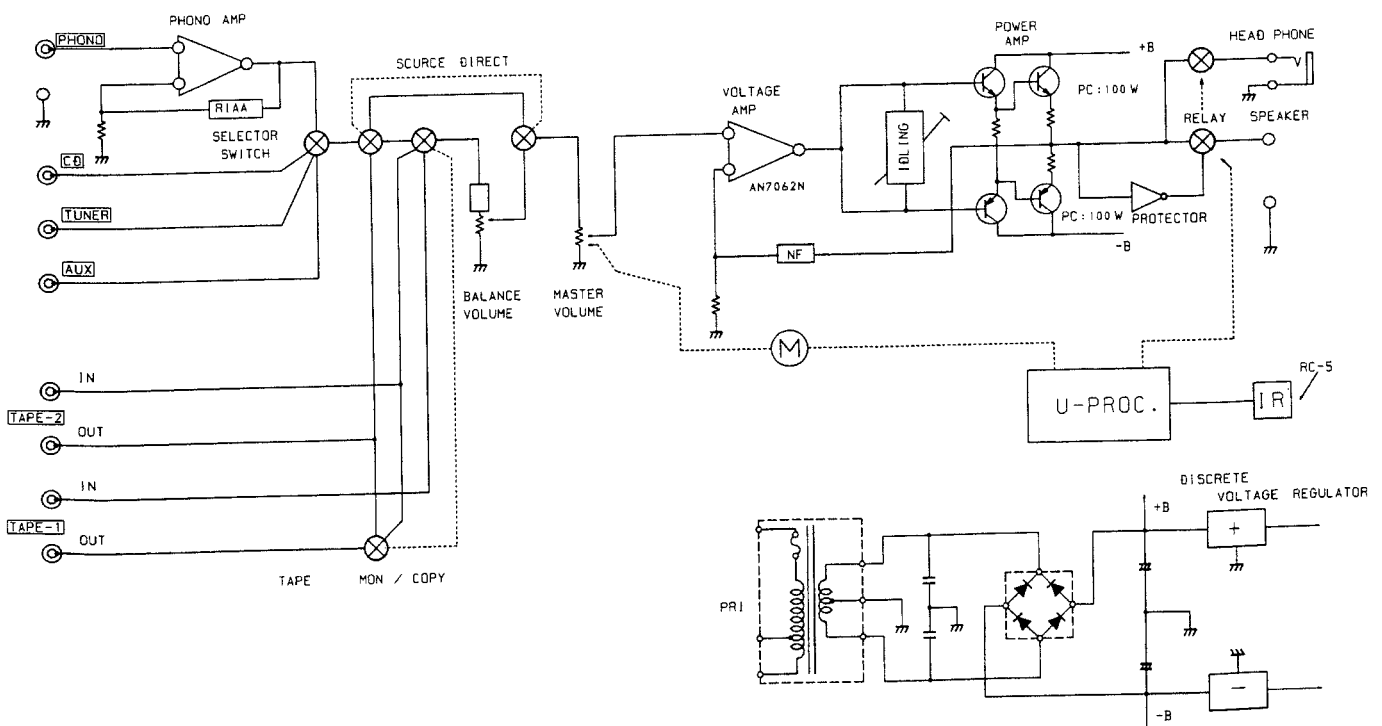
To convert the unit to a different power source voltage, change the position as illustrated in the drawing below.

VOLTAGE SELECTOR

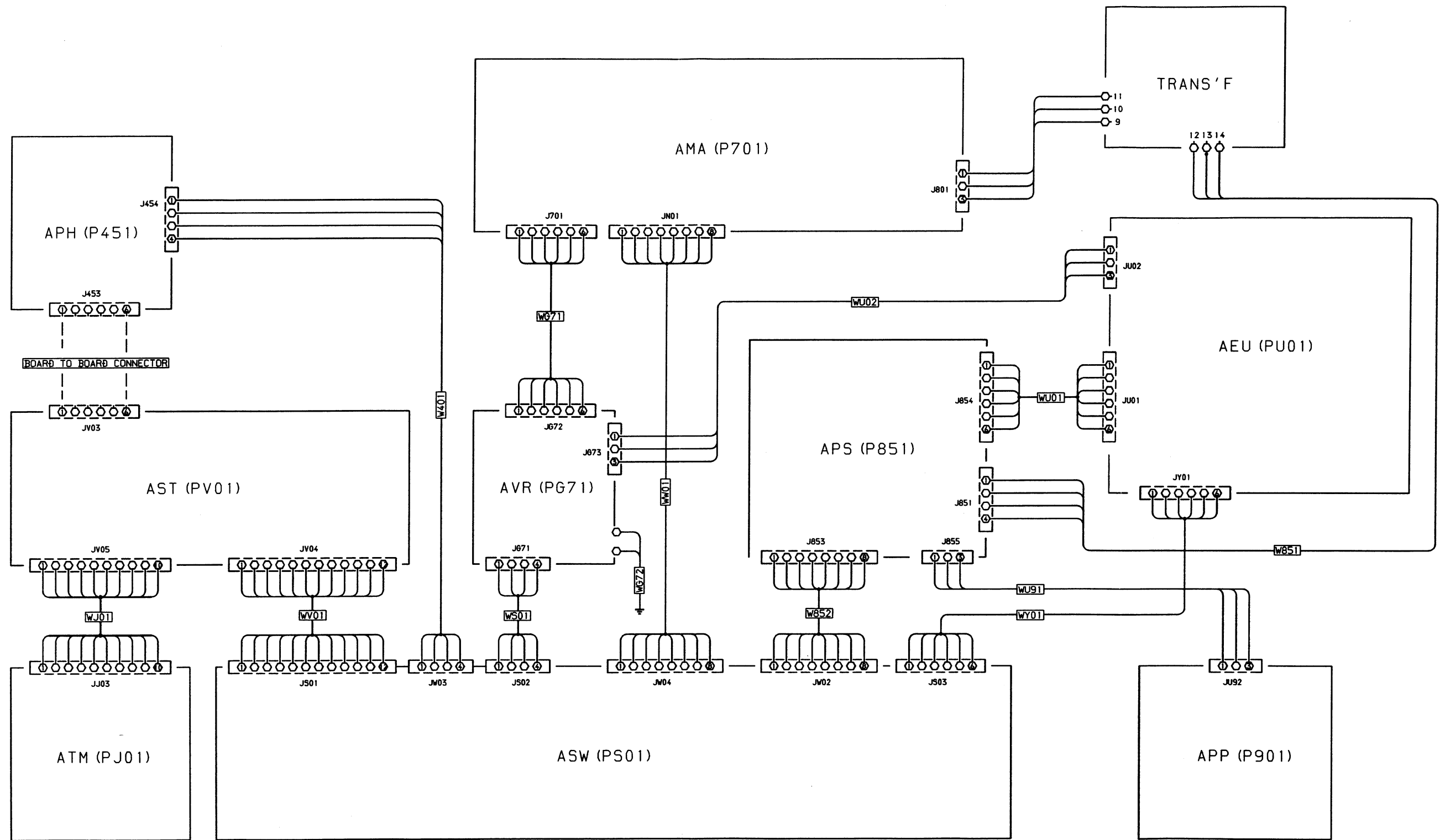
CAUTION
DISCONNECT POWER SUPPLY CORD FROM AC OUTLET BEFORE CONVERTING VOLTAGE.



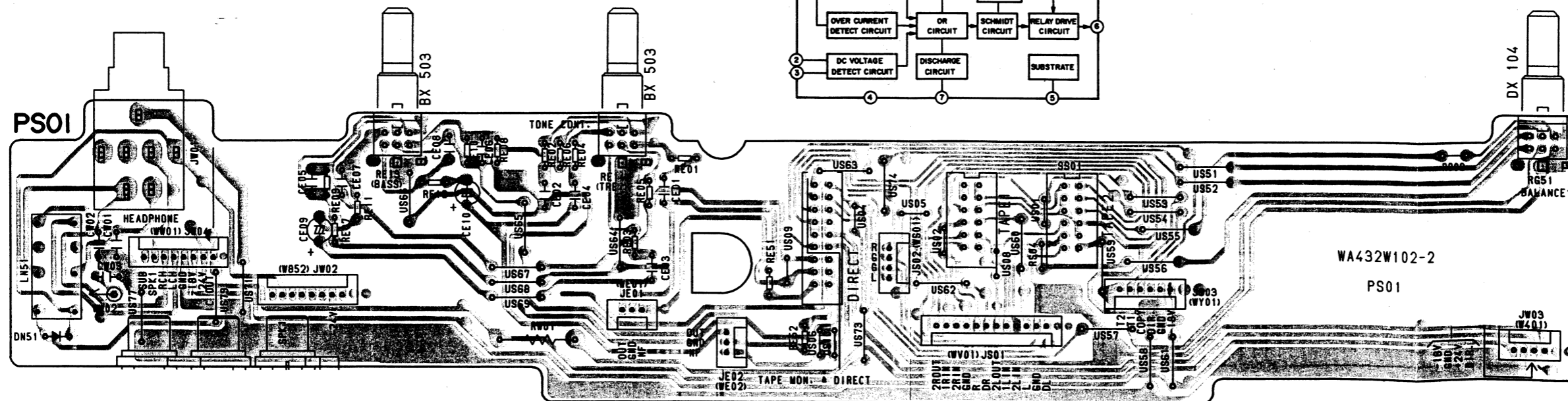
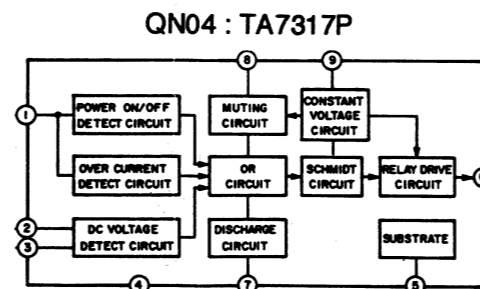
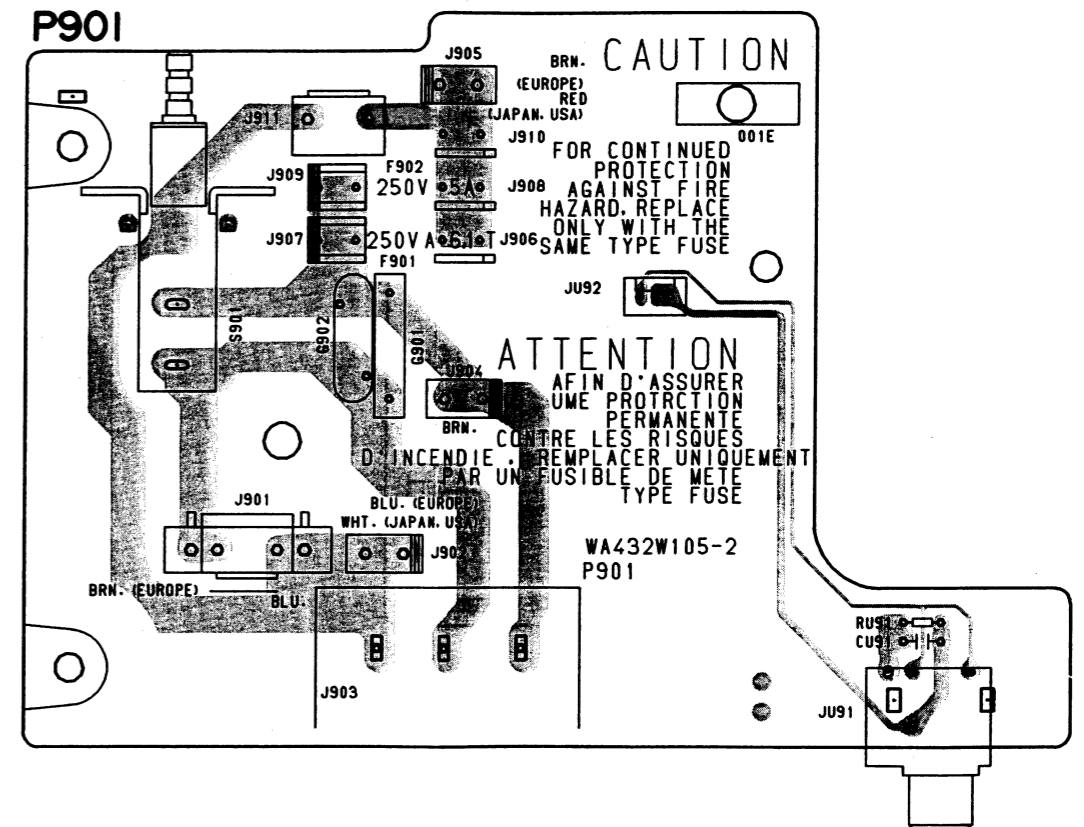
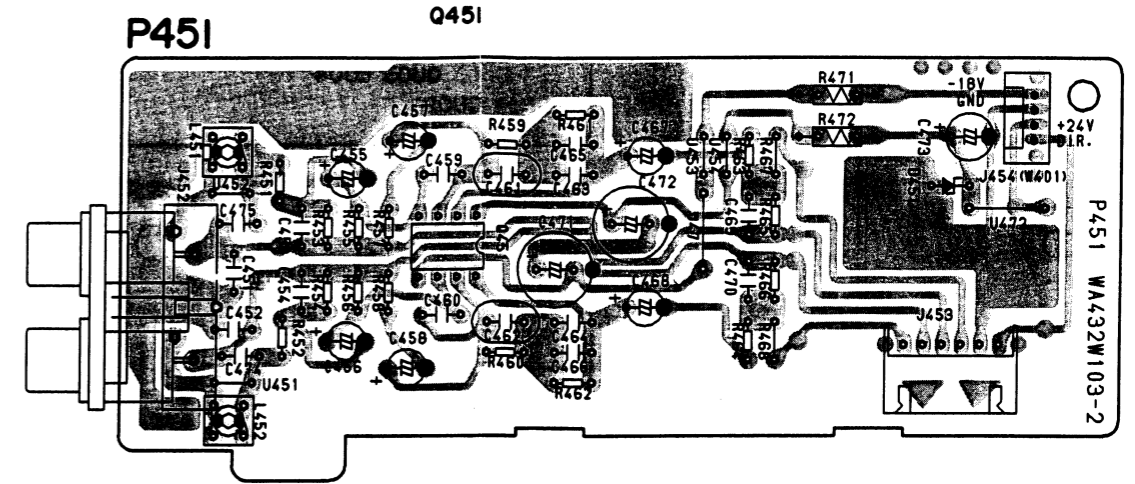
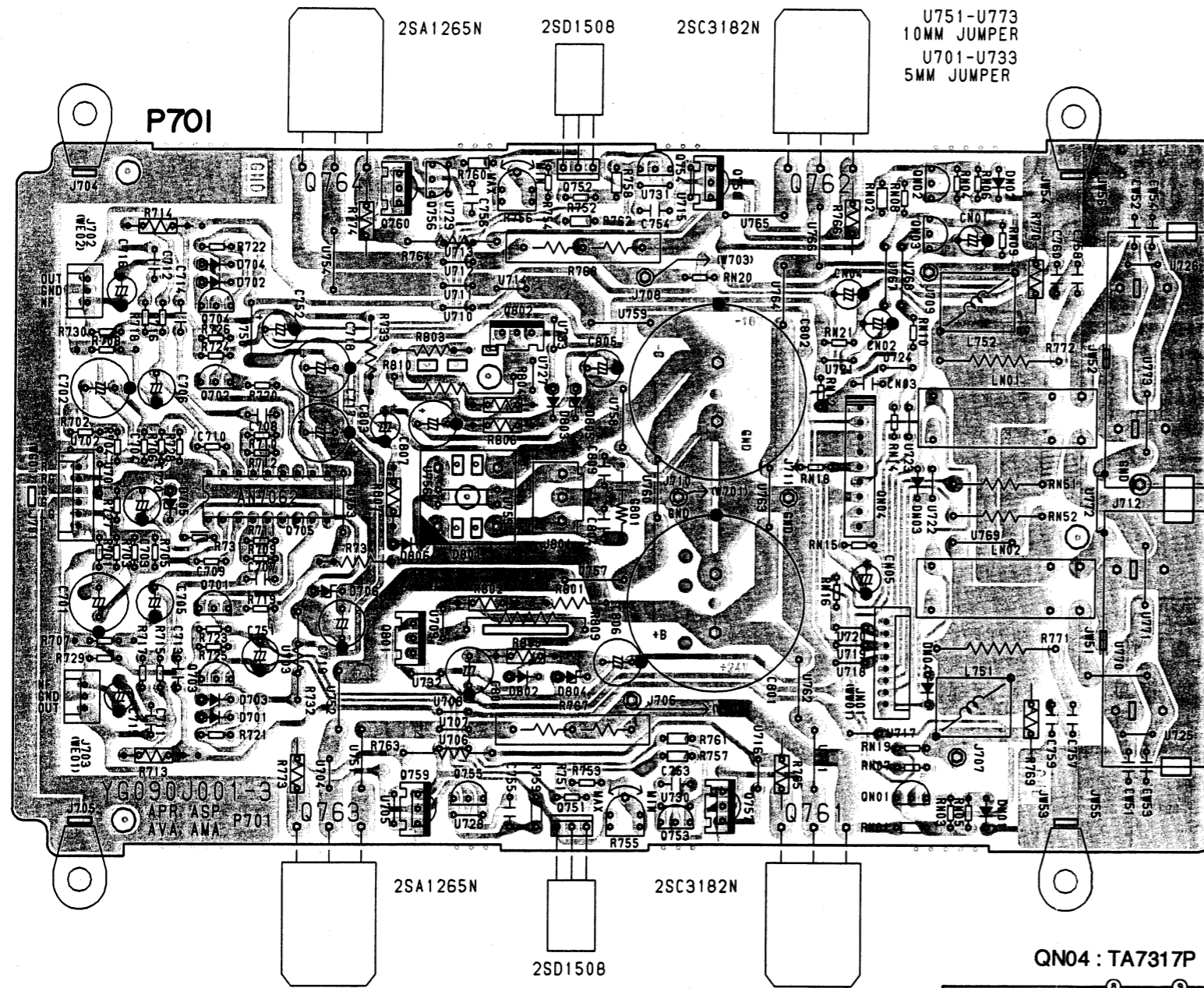
5. BLOCK DIAGRAM

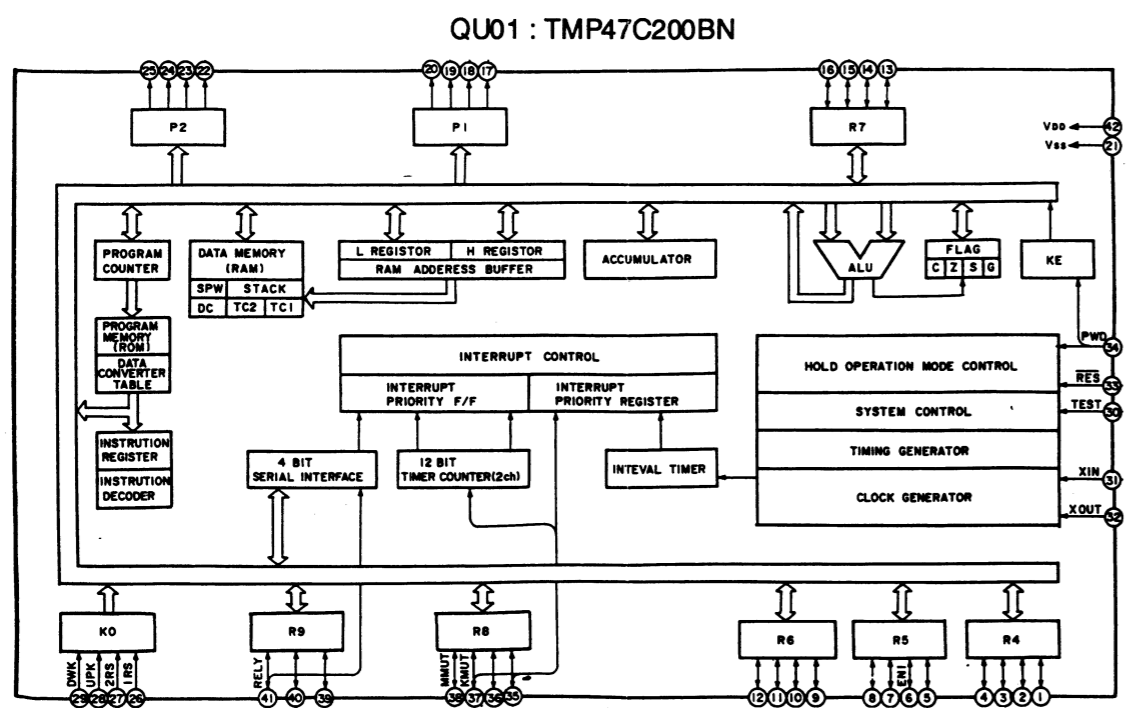
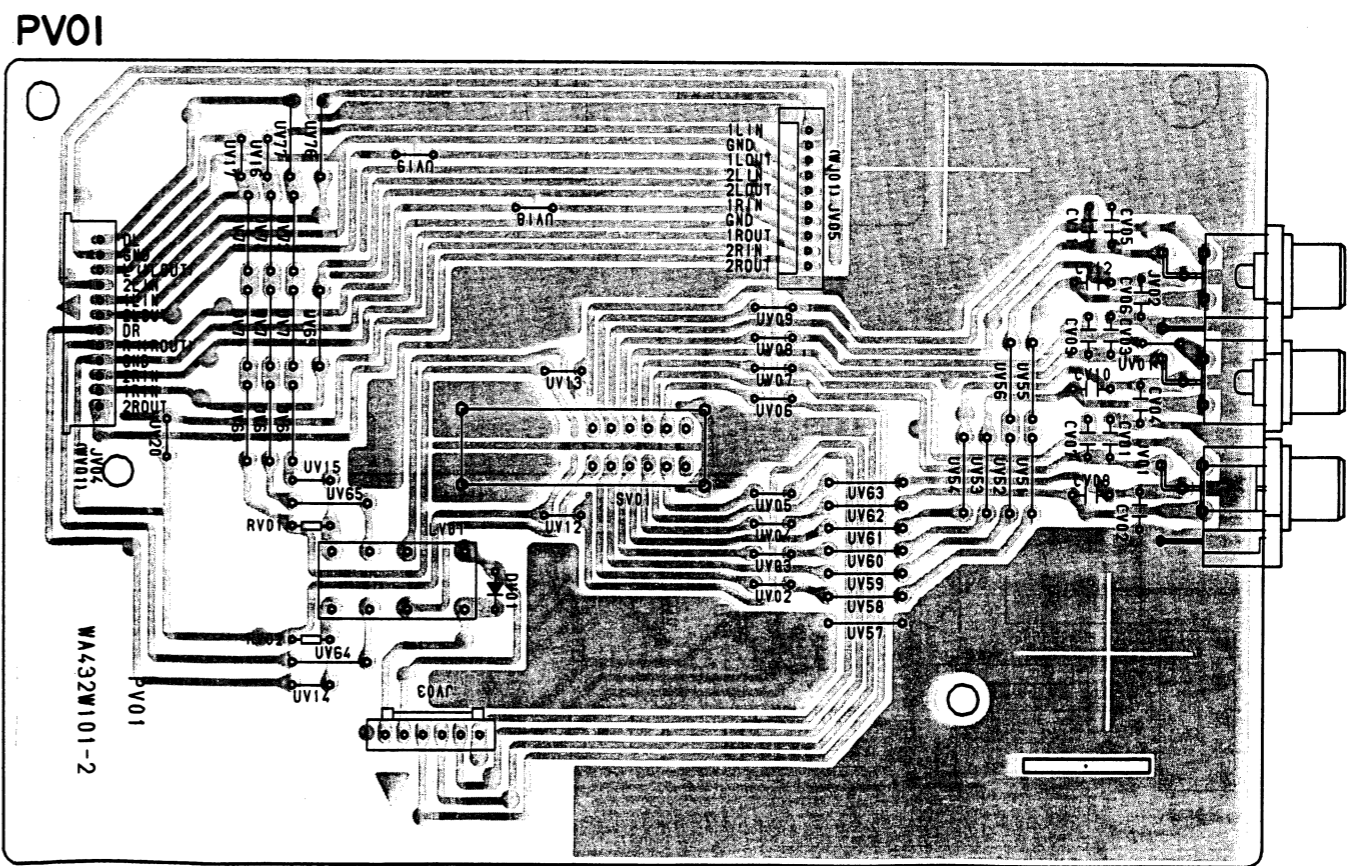
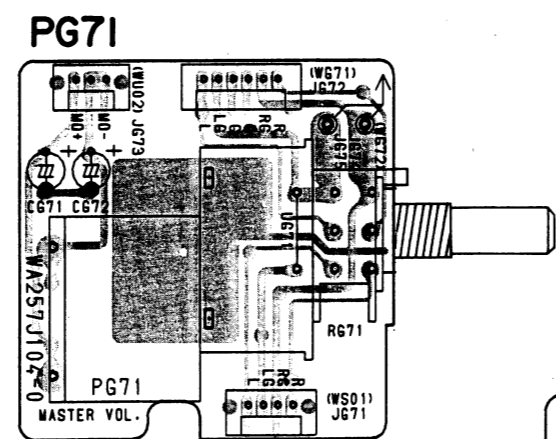
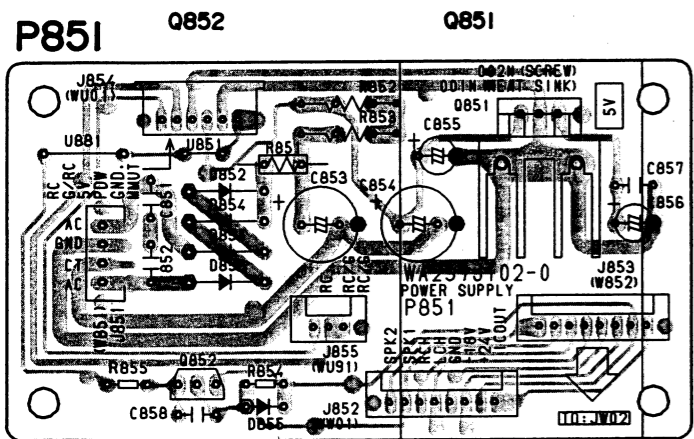
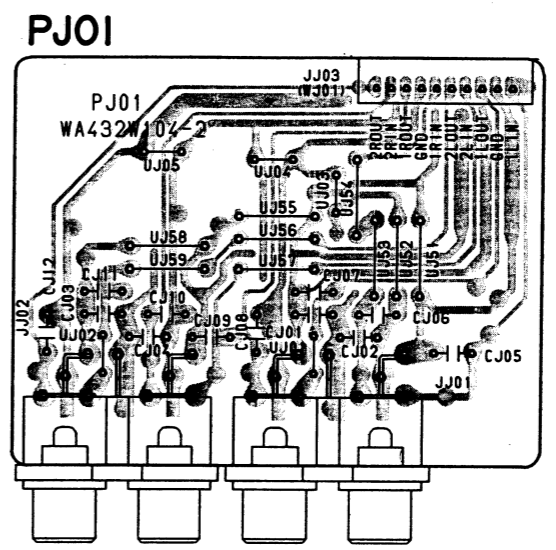
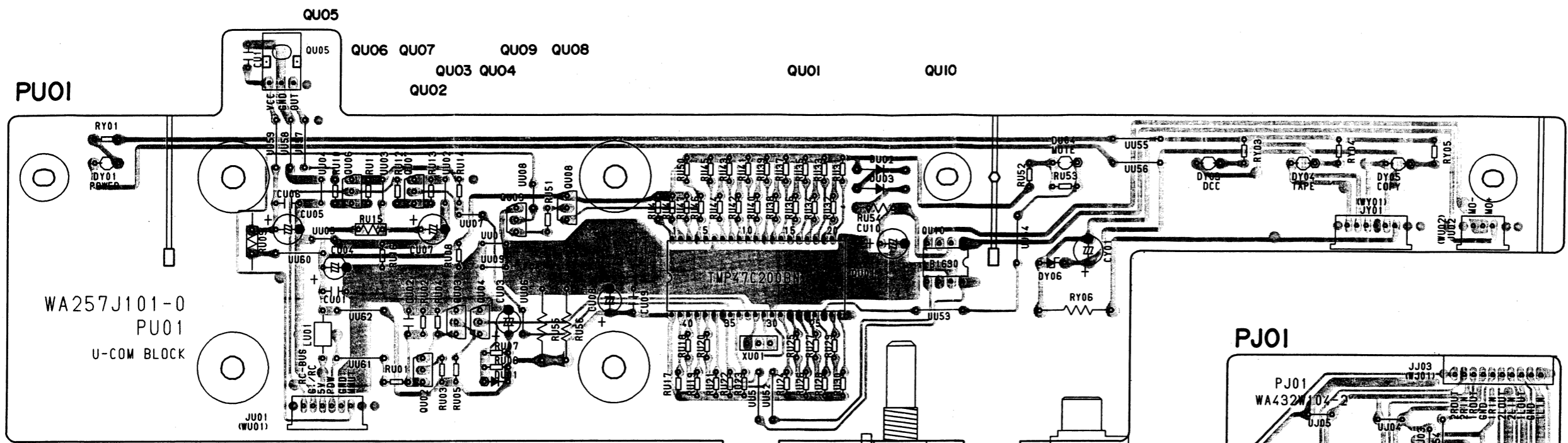


6. WIRING DIAGRAM

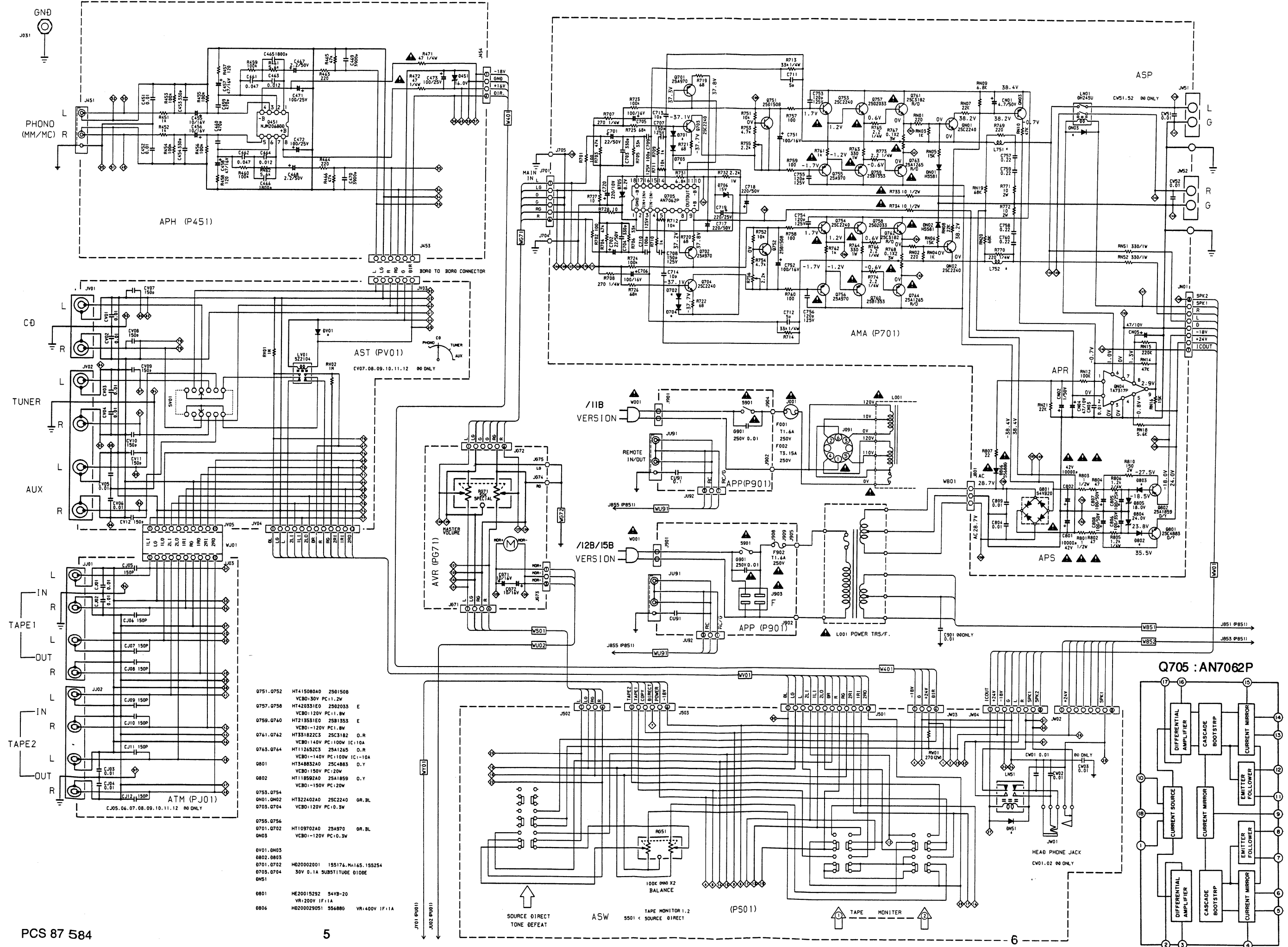


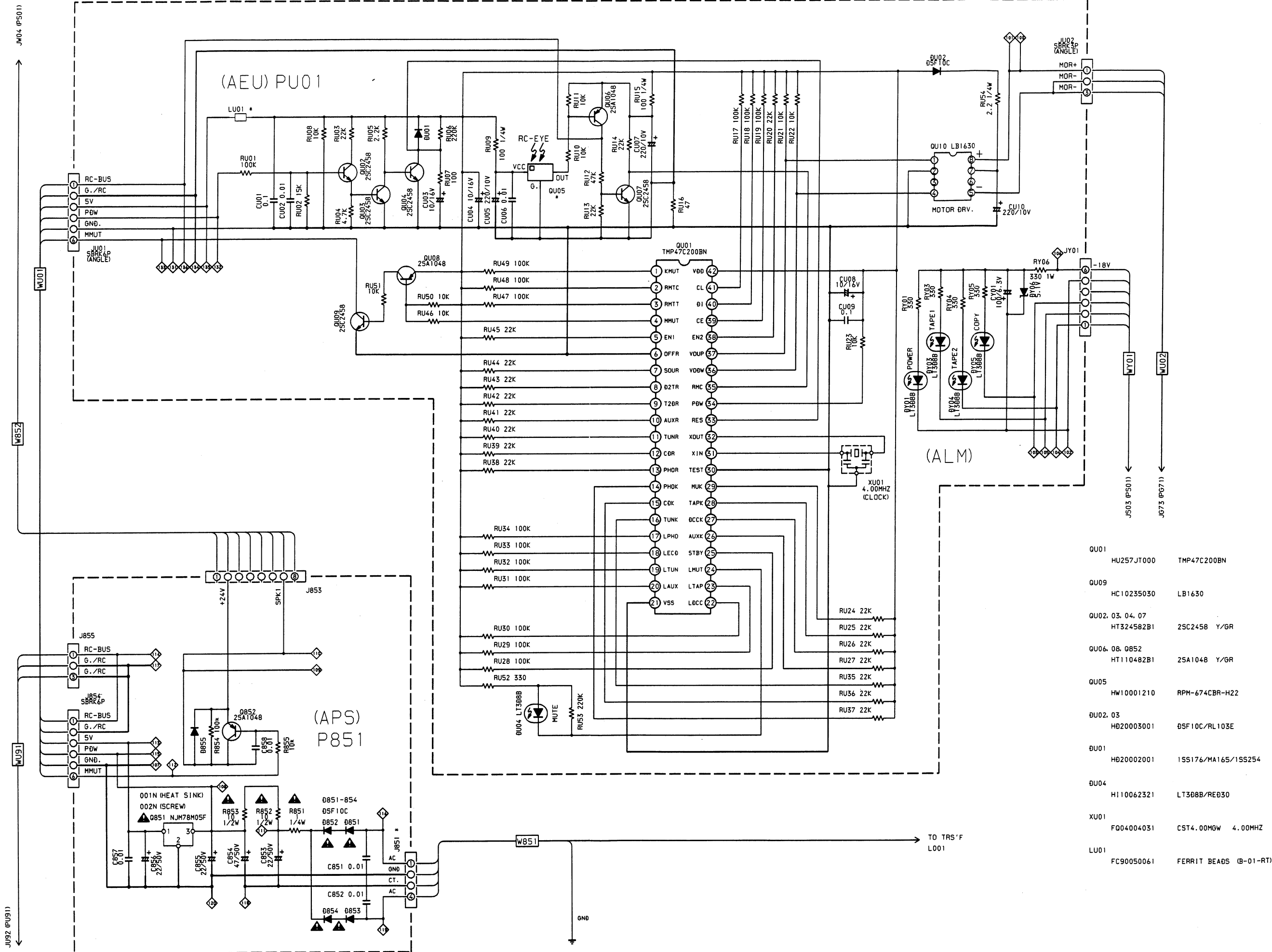
Q701 Q704 Q705 Q764 Q760 Q756 Q802 Q752 Q754 Q758 Q762 QN02 QN03
 Q763 Q801 Q759 Q755 Q751 Q753 Q757 Q761 QN04 QN01



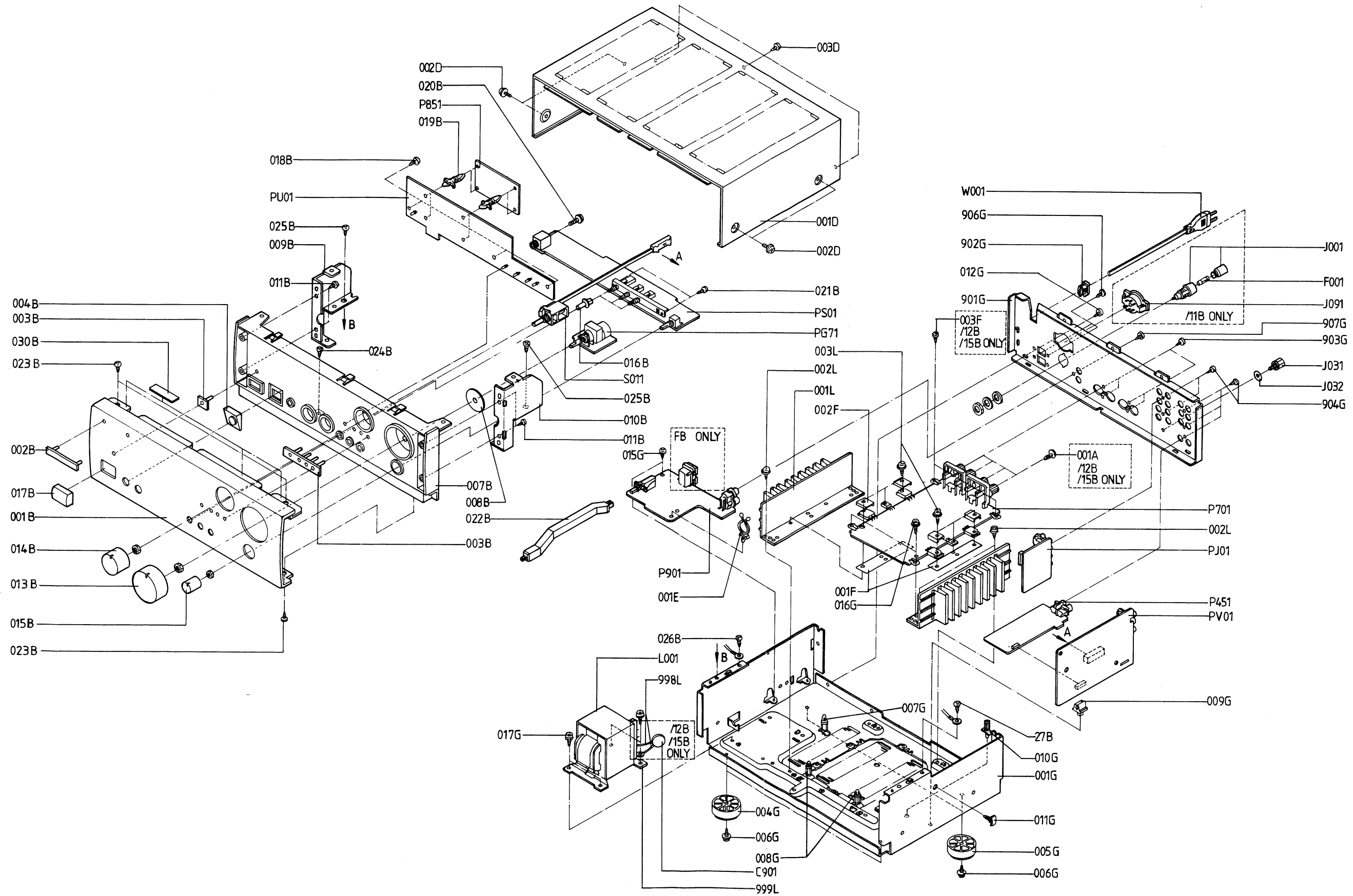


7. SCHEMATIC DIAGRAM AND PARTS LOCATION (Pattern side)





8. EXPLODED VIEW AND PARTS LIST



POS. NO.	VER. COLOR	PART NO. (PCS)	DESCRIPTION	PART NO. (MJI)
001B		4822 459 04257	FRONT AL PANEL (PM-66SE)	432W248010
002B		4822 454 12948	MARANTZ BADGE (BL)	185J251010
003B			LENS FOR LED	432W355010
004B		4822 381 11561	IR LENS	185J355010
007B			FRONT MOULD CHASSIS	432W105012
013B		4822 410 10559	VOLUME KNOB BLACK D=50	063J154080
014B		4822 410 10117	SELECTOR KNOB	064J154080
015B		4822 410 10561	KNOB	185J154010
016B		4822 410 60343	PUSH BUTTON BLACK	058J270030
017B		4822 462 72053	POWER BUTTON (BL)	285K270010
022B		4822 402 10517	LINK	185J121010
004G		4822 462 42129	LEG (GOLD HOT STAMP)	183J057010
005G		4822 462 42131	LEG (GOLD HOT STAMP) FOR REAR	183J057110
▲F001	/11B	4822 070 31602	FUSE T1.60A IEC	QP07031602
▲F002	/11B	4822 070 33152	FUSE T3.15A IEC	FS10315850
▲J001	/11B	4822 256 30233	HOLDER FOR FUSES 5.2x10MM	YJ08000290
J031		4822 502 13921	SCREW PHONO GND	YL03010310
▲J091	/11B		SELECTOR VOLTAGE	BY05060090
▲L001	F		TRANSFORMER E176/45	*TS000570R
	/11B	4822 146 21743	TRANSFORMER E176/45 OVS	TS17650020
	/12B/15B	4822 146 21744	TRANSFORMER E176/45 IEC	TS17650010
▲W001	F		MAINS CORD F/E	YC02000770
	/11B/12B	4822 321 10781	MAINS CORD IEC	YC01800440
	/15B	4822 321 10941	MAINS CORD UK 5A	YC02000700
001T	F		IFU PM-66SE (F)	432W851110
	/11B /12B/15B	4822 736 14585	IFU PM-66SE (N)	432W851310
Z001		4822 219 10067	REMOTO UNIT RC-66PM	ZK432W0010

9. ELECTRICAL PARTS LIST

ASSIGNMENT OF COMMON PARTS CODES.

RESISTOR

R*** : 1) GD05 x x x 140, Carbon film fixed resistor, ± 5% 1/4W
 R*** : 2) GD05 x x x 160, Carbon film fixed resistor, ± 5% 1/6W

① — Resistance value

Examples :

① Resistance value

0.1Ω...001	10Ω...100	1kΩ...102	100kΩ...104
0.5Ω...005	18Ω...180	2.7kΩ...272	680kΩ...684
1Ω...010	100Ω...101	10kΩ...103	1MΩ...105
6.8Ω...068	390Ω...391	22kΩ...223	4.7MΩ...475

(Note) Please distinguish 1/4W from 1/6W by the shape of parts used actually.

C*** : CERAMIC CAP.

1) DD1 x x x x 370, Ceramic capacitor
 Disc type
 Temp.coeff.P350~N1000.50V

① — Capacity value
 ② — Tolerance

Examples

① Tolerance (Capacity deviation)

± 0.25pF ... 0
± 0.5pF ... 1
± 5% ... 5

* Tolerance of COMMON PARTS handled here are as follows :

0.5pF~	5pF...± 0.25pF
6pF~	10pF...± 0.5pF
12pF~	560pF...± 5%

② Capacity value

0.5pF...005	3pF...030	100pF...101
1pF...010	10pF...100	220pF...221
1.5pF...015	47pF...470	560pF...561

C*** : CERAMIC CAP.

1) DK16 x x x x 300, High dielectric constant ceramic capacitor
 Disc type
 Temp.chara. 2B4, 50V

① — Capacity value

Examples

① Capacity value

100pF...101	1000pF...102	10000pF...103
470pF...471	2200pF...222	

C*** : ELECTROLY CAP. (⏏), FILM CAP. (⏏)

1) EA x x x x x 10, Electrolytic capacitor
 One-way lead type, Tolerance ± 20%

① — Working voltage
 ② — Capacity value

Examples

① Capacity value

0.1 μF...104	4.7 μF...475	100 μF...107
0.33 μF...334	10 μF...106	330 μF...337
1 μF...105	22 μF...226	1100 μF...118
		2200 μF...228

② Working voltage

6.3V...006	25V...025
10V...010	35V...035
16V...016	50V...050

2) DF15 x x x x 350 — Plastic film capacitor
 DF15 x x x x 310 — One-way type, Mylar ± 5% 50V
 DF16 x x x x 310 — Plastic film capacitor
 One-way type, Mylar ± 10% 50V

① — Capacity value

Examples

① Capacity value

0.001 μF(1000pF) ...102	0.1 μF...104
0.0018 μF...182	0.56 μF...564
0.01 μF...103	1 μF...105
0.015 μF...153	

NOTE : 1) The above CODES (R***, R***, C***, C*** and C***) are omitted on the schematic diagram in some case.
 2) On the occasion, be confirmed the common parts on the parts list.
 3) Refer to "Common Parts List" for the other common parts (RI05, DD4, DK4).

NOTE ON SAFETY FOR FUSIBLE RESISTOR :

The suppliers and their type numbers of fusible resistors are as follows :

1. KOA Corporation

Part No.	Type No.	Description
NH05 x x x 140	RF25S x x x x ΩJ	(± 5% 1/4W)
NH05 x x x 120	RF50S x x x x ΩJ	(± 5% 1/2W)
NH85 x x x 110	RF73B2A x x x x ΩJ	(± 5% 1/10W)
NH95 x x x 140	RF73B2E x x x x ΩJ	(± 5% 1/4W)

* Resistance value (0.1-10kΩ)

2. Matsushita Electronic Components Co., Ltd

Part No.	Type No.	Description
NF05 x x x 140	ERD-2FCJ x x x	(± 5% 1/4W)
RF05 x x x 140		
NF02 x x x 140	ERD-2FCG x x x	(± 2% 1/4W)
RF02 x x x 140		

* Resistance value

Examples :

* Resistance value

0.1Ω...001	10Ω...100	1kΩ...102	100kΩ...104
0.5Ω...005	18Ω...180	2.7kΩ...272	680kΩ...684
1Ω...010	100Ω...101	10kΩ...103	1MΩ...105
6.8Ω...068	390Ω...391	22kΩ...223	4.7MΩ...475

ABBREVIATION AND MARKS

1	ANT. : ANTENNA	2	BATT. : BATTERY
3	CAP. : CAPACITOR	4	CER. : CERAMIC
5	CONN. : CONNECTING	6	DIG. : DIGITAL
7	HP : HEADPHONE	8	MIC. : MICROPHONE
9	μ-PRO : MICROPROCESSOR	10	REC. : RECORDING
11	RES. : RESISTOR	12	SPK : SPEAKER
13	SW : SWITCH	14	TRANSF. : TRANSFORMER
15	TRIM. : TRIMMING	16	TRS. : TRANSISTOR
17	VAR. : VARIABLE	18	X'TAL : CRYSTAL
19		20	
21		22	
23		24	
25		26	
27		28	
29		30	

NOTE ON SAFETY :

Symbol \blacktriangle Fire or electrical shock hazard. Only original parts should be used to replaced any part marked with symbol \blacktriangle . Any other component substitution (other than original type), may increase risk of fire or electrical shock hazard.

安全上の注意 :

\blacktriangle がついている部品は、安全上重要な部品です。必ず指定されている部品番号の部品を使用して下さい。

POS. NO.	VER. COLOR	PART NO. (PCS)	DESCRIPTION	PART NO. (MJI)
			PG71-MASTER VOLUME CIRCUIT BOARD	
CG71		4822 124 22571	ELECT CAP. 10 μ F 50V	OA10605020
CG72		4822 124 22571	ELECT CAP. 10 μ F 50V	OA10605020
RG71		4822 101 30885	50K Ω MOTOR VARIABLE RES.	RY05030220
			PJ01-TAPE IN / OUT CIRCUIT BOARD	
JJ01		4822 266 30284	TERMINAL, 4P RCA JACK	YT02040690
JJ02		4822 266 30284	TERMINAL, 4P RCA JACK	YT02040690
			PS01-TAPE MONI/TONE OUT./SPK. SW CIRCUIT BOARD	
RG51		4822 100 30138	100K Ω (MN), VARIABLE RES.	RM01041310
RW01		4822 116 60455	270 Ω \pm 5% 2W, METAL RES.	NK05271020
DN51		4822 130 32364	DIODE 1SS254	HD20022210
JW01		4822 267 31479	SOCKET HEADPHONE	QP26731479
LN51		4822 280 20501	RELAY 2P 24V 2A MR62-24SR	LY20240410
SS01		4822 276 12956	PUSH SWITCH SPUP30	SP06030240
			PU01-TAPE INDICATOR/ μ-COM CIRCUIT BOARD	
			PU01-CAPACITORS	
CU01		4822 122 40617	CER. 0.1 μ F +80% -20%	DD38104010
CU03		4822 124 22571	ELECT 10 μ F 50V	OA10605020
CU04		4822 124 22571	ELECT 10 μ F 50V	OA10605020
CU05		4822 124 90363	ELECT 220 μ F 10V	OA22701020
CU07		4822 124 90363	ELECT 220 μ F 10V	OA22701020
CU08		4822 124 22571	ELECT 10 μ F 50V	OA10605020
CU09		4822 122 40617	CER. 0.1 μ F +80% -20%	DD38104010
CU10		4822 124 90363	ELECT 220 μ F 10V	OA22701020
CU91		4822 122 40617	CER. 0.1 μ F +80% -20%	DD38104010
			PU01-RESISTORS	
RU09		4822 117 12425	100 Ω \pm 5% 1/4W	GG05101140
RU15		4822 117 12425	100 Ω \pm 5% 1/4W	GG05101140
▲RU54		4822 116 60309	2.2 Ω \pm 5% 1/4W, FUSIBLE	NH05022140
RY06		4822 116 60494	330 Ω \pm 5% 2W, METAL	NK05331020
			PU01-SEMICONDUCTORS	
DU01		4822 130 32362	DIODE 1SS254	HD20022210
DU02		4822 130 32508	DIODE RL103E	HD20003000
DU04		4822 130 80326	LED LT3D8D (RED)	HI10062320
DY01		4822 130 80326	LED LT3D8D (RED)	HI10062320
DY03		4822 130 80326	LED LT3D8D (RED)	HI10062320
DY04		4822 130 80326	LED LT3D8D (RED)	HI10062320
DY05		4822 130 80326	LED LT3D8D (RED)	HI10062320
DY06		4822 130 80317	ZENER MTZJ5.1B	HD30511000
QU01		4822 209 90571	μ -PRO TMP47C200BN-H347	HU257JT000
QU02		4822 130 60904	TRS. 2SC2458 (Y)	HT324581Y0
QU03		4822 130 60904	TRS. 2SC2458 (Y)	HT324581Y0
QU04		4822 130 60904	TRS. 2SC2458 (Y)	HT324581Y0
QU05		4822 130 83519	IR RECEIVER RPM674CBR-H22	HW10001210
QU06		4822 130 42372	TRS. 2SA1048 (Y)	HT110481Y0
QU07		4822 130 60904	TRS. 2SC2458 (Y)	HT324581Y0
QU09		4822 130 60904	TRS. 2SC2458 (Y)	HT324581Y0
QU10		4822 209 73287	IC LB1630	HC10235030

POS. NO.	VER. COLOR	PART NO. (PCS)	DESCRIPTION	PART NO. (MJI)
			PU01-MISCELLANEOUS	
LU01		4822 158 60605	FERRITE BEAD	FC90050060
XU01		4822 242 72527	CERAMIC RESONATOR 4.000MHZ	FQ04004030
			PV01-INPUT SELECTOR CIRCUIT BOARD	
DV01		4822 130 32362	DIODE 1SS254	HD20022210
JV01		4822 266 30282	TERMINAL, 2P RCA JACK	YT02020610
JV02		4822 266 30284	TERMINAL, 4P RCA JACK	YT02040690
LV01		4822 280 20501	RELAY MR62-24SR	LY20240410
SV01		4822 277 21412	SLIDE SWITCH, SELECTOR	SS02040010
			P451-PHONO AMP. CIRCUIT BOARD	
			P451-CAPACITORS	
C455		4822 124 22571	ELECT 10 μ F 50V	OA10605020
C456		4822 124 22571	ELECT 10 μ F 50V	OA10605020
C457		4822 124 41539	ELECT 47 μ F 16V	OA47601620
C458		4822 124 41539	ELECT 47 μ F 16V	OA47601620
C467		4822 124 40244	ELECT 2.2 μ F 50V	OA22505020
C468		4822 124 40244	ELECT 2.2 μ F 50V	OA22505020
C469		4822 121 70198	FILM 3900PF \pm 10% 100V	OF15392530
C469		4822 121 70198	FILM 3900PF \pm 10% 100V	OF15392530
C471		4822 124 22238	ELECT 100 μ F 25V	OA10702550
C472		4822 124 22238	ELECT 100 μ F 25V	OA10702550
C473		4822 124 80293	ELECT 100 μ F 25V	OA10702520
			P451-RESISTORS	
▲R471		4822 111 90731	47 Ω \pm 2% 1/4W, FUSIBLE	NF02470140
▲R472		4822 052 10479	47 Ω \pm 5% 1/4W	GG05470140
			P451-SEMICONDUCTORS	
D451		4822 130 34268	ZENER BZX79-C16	QP13034268
Q451		4822 209 73064	IC NJM2068D	HC10053090
			P451-MISCELLANEOUS	
J452		4822 265 20355	TERMINAL, 2P RCA JACK	YT02020650
			P701-POWER AMP. CIRCUIT BOARD	
			P701-CAPACITORS	
CN01		4822 124 22274	ELECT 4.7 μ F 50V	OA47505020
CN02		4822 124 41543	ELECT 1 μ F 50V	OA10505020
CN04		4822 124 22698	ELECT 47 μ F 25V	OA47602520
CN05		4822 124 23417	ELECT 33 μ F 10V	OA33601020
C701		4822 124 80123	ELECT 220 μ F 16V	OA22701640
C702		4822 124 80123	ELECT 220 μ F 16V	OA22701640
C705		4822 124 80293	ELECT 100 μ F 25V	OA10702520
C706		4822 124 80293	ELECT 100 μ F 25V	OA10702520
C711		4822 123 30093	MICA 5PF \pm 0.5PF 500V	DF31050520
C712		4822 123 30093	MICA 5PF \pm 0.5PF 500V	DF31050520
C713		4822 123 30088	MICA 10PF \pm 0.5PF 250V	DF31100520
C714		4822 123 30088	MICA 10PF \pm 0.5PF 250V	DF31100520
C717		4822 124 90366	ELECT 220 μ F 50V	OA22705020
C718		4822 124 90366	ELECT 220 μ F 50V	OA22705020
C719		4822 124 41536	ELECT 220 μ F 25V	OA22702520
C720		4822 124 90363	ELECT 220 μ F 10V	OA22701020
C751		4822 124 80293	ELECT 100 μ F 25V	OA10702520
C752		4822 124 80293	ELECT 100 μ F 25V	OA10702520
C753				
f				
C756		4822 130 83519	FILM 120PF \pm 5% 100V	OF15121550

POS. NO.	VER. COLOR	PART NO. (PCS)	DESCRIPTION	PART NO. (MJI)
▲C801		4822 124 80692	ELECT 1000µF 6V	OB10905610
▲C802		4822 124 80692	ELECT 1000µF 6V	OB10905610
C805		4822 124 80293	ELECT 100µF 25V	OA10702520
C806		4822 124 41536	ELECT 100µF 35V	OA10703520
C807		4822 124 90355	ELECT 100µF 50V	OA10705020
C808		4822 124 90355	ELECT 100µF 50V	OA10705020
			P701-RESISTORS	
RN51		4822 053 10331	330 Ω ±5% 1W	GA05331010
RN52		4822 053 10331	330 Ω ±5% 1W	GA05331010
R713		4822 050 23303	33K Ω ±5% 1/4W	GG05333140
R714		4822 050 23303	33K Ω ±5% 1/4W	GG05333140
R719				
∫		4822 050 26809	68 Ω ±5% 1/6W	GG05680160
R722				
R732		4822 117 11859	2.2K Ω ±5% 2W, METAL	NK05222020
R733		4822 116 60313	10 Ω ±5% 1/2W, FUSIBLE	NH05100120
R734		4822 116 60313	10 Ω ±5% 1/2W, FUSIBLE	NH05100120
R755		4822 101 11166	2.2K Ω , TRIMMING	QP10111166
R756		4822 101 11166	2.2K Ω , TRIMMING	QP10111166
R757				
∫		4822 052 10101	100 Ω ±5% 1/6W	GG05101160
R760				
R761		4822 052 10102	1K Ω ±5% 1/6W	GG05102160
R762		4822 052 10102	1K Ω ±5% 1/6W	GG05102160
R763		4822 116 60494	330 Ω ±5% 2W, METAL	NK05331020
R764		4822 116 60494	330 Ω ±5% 2W, METAL	NK05331020
R765		4822 116 83963	2.2 Ω ±5% 1/4W	GG05022140
R766		4822 116 83963	2.2 Ω ±5% 1/4W	GG05022140
R767		4822 111 91402	0.1 Ω x2 ±10% 3W	BZ10102010
R768		4822 111 91402	0.1 Ω x2 ±10% 3W	BZ10102010
R769		4822 117 10028	220 Ω ±5% 1/4W	GG05221140
R770		4822 117 10028	220 Ω ±5% 1/4W	GG05221140
R771		4822 116 83353	10 Ω ±5% 3W, METAL	NK05100030
R772		4822 116 83353	10 Ω ±5% 3W, METAL	NK05100030
R773		4822 116 83963	2.2 Ω ±5% 1/4W	GG05022140
R774		4822 116 83963	2.2 Ω ±5% 1/4W	GG05022140
▲R801		4822 116 60306	1 Ω ±5% 1/2W, FUSIBLE	NH05010120
▲R802		4822 111 90731	47 Ω ±2% 1/4W, FUSIBLE	NF02470140
▲R803		4822 116 60306	1 Ω ±5% 1/2W, FUSIBLE	NH05010120
▲R804		4822 111 90731	47 Ω ±2% 1/4W, FUSIBLE	NF02470140
R805		4822 117 12426	1.2K Ω ±5% 1/4W	GG05122140
R806		4822 117 12426	1.2K Ω ±5% 1/4W	GG05122140
▲R807		4822 113 90119	22 Ω ±2% 1/4W, FUSIBLE	NF02220140
R810		4822 117 11858	150 Ω ±5% 3W, METAL	NK05151030
			P701-SEMICONDUCTORS	
DN01		4822 130 80837	DIODE HSS81TD	HD20027010
DN02		4822 130 80837	DIODE HSS81TD	HD20027010
DN03		4822 130 32362	DIODE 1SS254	HD20022210
D701				
∫		4822 130 32362	DIODE 1SS254	HD20022210
D704				
D705		4822 130 80273	ZENER MTZJ8.2C	HD30821000
D706		4822 130 80322	ZENER MTZJ16A	HD31501000
▲D801		4822 130 31007	DIODE S4VB-20	HE20015290
D802		4822 130 32362	DIODE 1SS254	HD20022210
D803		4822 130 32362	DIODE 1SS254	HD20022210
D804		4822 130 34398	ZENER BZX79-C24	QP13034398
D805		4822 130 31024	ZENER BZX79-C18	QP13031024
▲D806		4822 130 80839	DIODE S5688G	HD20029050
QN01		4822 130 10445	TRS. 2SC2240	HT322401A0
QN02		4822 130 10445	TRS. 2SC2240	HT322401A0
QN03		4822 130 42949	TRS. 2SA970	HT109701A0
QN04		4822 209 83312	IC TA7317P	HC10042050

POS. NO.	VER. COLOR	PART NO. (PCS)	DESCRIPTION	PART NO. (MJI)
Q701		4822 130 42949	TRS. 2SA970	HI109701A0
Q702		4822 130 42949	TRS. 2SA970	HI109701A0
Q703		4822 130 10445	TRS. 2SC2240	HT322401A0
Q704		4822 130 10445	TRS. 2SC2240	HT322401A0
Q705		4822 209 83732	IC AN7062P	HC10066020
Q751		4822 130 60526	TRS. 2SD1508	HT415080A0
Q752		4822 130 60526	TRS. 2SD1508	HT415080A0
▲Q753		4822 130 10445	TRS. 2SC2240	HT322401A0
▲Q754		4822 130 10445	TRS. 2SC2240	HT322401A0
▲Q755		4822 130 42949	TRS. 2SA970	HT109701A0
▲Q756		4822 130 42949	TRS. 2SA970	HT109701A0
▲Q757		4822 130 10446	TRS. 2SD2033 (E)	HT420331E0
▲Q758		4822 130 10446	TRS. 2SD2033 (E)	HT420331E0
▲Q759		4822 130 10447	TRS. 2SB1353 (E)	HT213531E0
▲Q760		4822 130 10447	TRS. 2SB1353 (E)	HT213531E0
▲Q761		4822 130 61747	TRS. 2SC3182 (R)	HT331821A0
▲Q762		4822 130 61747	TRS. 2SC3182 (R)	HT331821A0
▲Q763		4822 130 61746	TRS. 2SA1265 (R)	HT112651A0
▲Q764		4822 130 61746	TRS. 2SA1265 (R)	HT112651A0
Q801		4822 130 63312	TRS. 2SC4883 (Y)	HT348832A0
Q802		4822 130 63308	TRS. 2SA1859 (Y)	HT118592A0
			P701-MISCELLANEOUS	
JW51		4822 290 81363	TERMINAL, SPEAKER	YT01020160
JW52		4822 290 81364	TERMINAL, SPEAKER	YT01020170
LN01		4822 280 20197	RELAY, VB24SMBU	LY20240260
L751		4822 157 63085	COIL, SPEAKER	ML08010010
L752		4822 157 63085	COIL, SPEAKER	ML08010010
			P851-µ-COM / POWER	
			SUPPLY CIRCUIT BOARD	
C853		4822 124 90355	ELECT 100µF 50V	OA10705020
C854		4822 124 90355	ELECT 100µF 50V	OA10705020
C855		4822 124 90362	ELECT 22µF 50V	OA22605020
C856		4822 124 90362	ELECT 22µF 50V	OA22605020
▲R851		4822 117 10158	1 Ω ±5% 1/4W	GG05010140
▲R852		4822 116 60313	10 Ω ±5% 1/2W, FUSIBLE	NH05100120
▲R853		4822 116 60313	10 Ω ±5% 1/2W, FUSIBLE	NH05100120
▲D851				
∫		4822 130 32508	DIODE RL103E	HD20003000
▲D854				
D855		4822 130 32362	DIODE 1SS254	HD20022210
▲Q851		4822 209 71903	IC NJM78M05FA	HC385050PF
Q852		4822 130 42372	TRS. 2SA1048 (Y)	HT110481Y0
			P901-POWER SWITCH / FUSE	
			CIRCUIT BOARD	
▲G901	/11B	4822 121 43732	CER. CAP. 0.01µF ±20% 250V	DK17103840
	/12B	4822 121 43732	FILM CAP. 0.01µF ±20% 250V	DF77103500
▲F901	F	4822 253 30415	FUSE 0.5A 125V	*FS000320R
▲F902		4822 253 30415	FUSE T1.6A 250V	FS10160850
JU91		4822 265 10651	TERMINAL, 2P RCA JACK	YT02020890
▲J903	F		AC OUTLET	*YT000970R
▲S901		4822 276 13772	PUSH SWITCH, POWER	SP01011540